



CENTRAL VACUUM SYSTEMS

## INSTALLATION AND OPERATION MANUAL

Your ducted vacuum system has been manufactured for a long trouble-free cleaning service life. Your power unit is covered by a manufacturers warranty, details of which are set out in the warranty card at the rear of this manual. Please read, then complete your warranty card registration and return to us by mail, within 30 days of installation so that the warranty may be validated. Your warranty does not cover abuse or misuse of the equipment. For assistance phone FREECALL 1800 050 333

***Please read and save this booklet.***  
*After completing Warranty card at back, detach  
and mail within 30 days of purchase*

## INTRODUCTION

Congratulations on your purchase of your new Valet Ducted Vacuum System. We recommend that you carefully read this instruction manual for many years of satisfactory performance and use.

## BEFORE YOU BEGIN

This product must be operated in accordance with these instructions and used only for domestic cleaning to remove DRY dirt and dust from household carpets, flooring and fabrics.

## SAFETY REMINDERS AND TAKING CARE OF YOUR VALET SYSTEM

Please read these instructions thoroughly. This will ensure you obtain full benefit from your new vacuum system. Keep this instruction manual in a handy place for future reference and remember to complete and post your warranty registration form on the inside rear cover of this manual.

## IMPORTANT

Please check your cleaner dust bag regularly when vacuuming new carpets as some new carpets release extra fluff as they settle down.

Do not pick up sharp objects, matches, hot ashes, cigarette butts or similar items.

Do not pick up flammable liquids such as cleaning fluids, petrol etc.

Do not use your system on wet surfaces or for wet pick up.

Please take care when cleaning stairs.

Do not allow children to operate your system or play near the Power unit.

Please remember your Valet Dealer is only a phone call away 1 800 050 333

## CONTENTS

1 x Wall bracket, 1 x Vacuum bag, 1 x muffler, 1 x 90° Sweep, 1 x Bag adaptor,  
1 x Operating/Installation Manual, 1 x Inlet plug



[www.valet.com.au](http://www.valet.com.au)

**SALES - SERVICE - SPARES**

**1 800 050 333**

**NESS HEAD OFFICE**

**02 8825 9222**

### COPYRIGHT NOTICE

All rights reserved. No part of this publication may be reproduced, transmitted or stored in a retrieval system in any form or by any means, electronic, mechanical, photocopying, recording, or otherwise, without the prior written permission of Ness. Ness reserves the right to make changes to features and specifications at any time without prior notification in the interest of ongoing product development and improvement.

© 2013 Ness Corporation Pty Ltd ABN 28 069 984 372

# CARE AND OPERATION OF DUCTED VACUUM SYSTEM

## CLEANING ATTACHMENTS - Sold separately

Your Valet power unit can be used with a wide variety of optional hoses, brushes, tools, accessories and replacement bags all available from your local Valet dealer.

## STARTING VACUUMING

Using a STANDARD HOSE: Open the lid of the vacuum wall valve/inlet and insert the hose cuff into the opening — this will turn the power unit ON automatically. To turn OFF simply remove hose cuff from outlet. Do not allow wall valves/inlets to slam shut when hose cuff is being removed — allow the suction to reduce before closing the wall valve/inlet.

Using a SWITCH HANDLE HOSE: Open lid of the wall valve/inlet and insert the hose cuff into the opening — slotting the key of the cuff into the space provided. Turn the power unit on and off using the switch on the handle. Remove from the hose from the wall valve/inlet once the power unit has stopped.

## VACUUM POWER UNIT

The power unit does not require any oil. The bearings in the motor(s) are greased and sealed for life. The motor carbon brushes must wear if the unit is to function properly. Brush life is affected by humidity, altitude, temperature and the number of stop starts. In average home use the life of your motor brushes should be around 4-6 years. The cost of replacing these brushes is not appreciable, but the damage done to the motor(s) through not replacing them before they are completely worn is considerable.

## PUSH TO RESET CIRCUIT BREAKERS

A circuit breaker, located on the side of the dirt canister, will trip in the event of an electrical fault. To reset, push the button in. Call your local Valet Dealer if the circuit breaker does not reset.

## **REMOVING THE ACCUMULATED DEBRIS FITTING AND CHANGING THE DISPOSABLE PAPER BAG**

- 1) Ensure your Ducted Vacuum system is switched off at the power point.
- 2) Remove the lid by lifting it straight up from the dirt canister
- 3) Carefully remove existing bag by gently pulling at the cardboard collar. The bag is durable, but ensure you take care if the bag looks overfull or hasn't been changed for some time.
- 4) Unfold your NEW disposable paper bag at the seams and extend it fully so there is a good volume of air inside it.
- 5) Take hold of the cardboard support of the bag and associated rubber gasket that surround the hole in the middle of it and slip it well over the exposed end of the bag adaptor

*Note: It is not necessary to enlarge the bag opening as it will fit over the adaptor with a little persuasion.*

- 6) Replace the lid on the dirt canister. Failure to do so will mean there is no vacuum created and hence no suction. Check your power supply is switched back on.

After initial use the filter bag should be checked weekly until some idea can be obtained as to how long it takes to fill under your normal cleaning routine.

The bag will fill much more rapidly if new carpets are being cleaned as there is usually a tremendous quantity of loose fibres that are retained in the carpet from the manufacturing process. The filter bag should therefore be changed when it is approximately 3/4 full or whenever there is a noticeable reduction in air flow at the wand or cleaning head.

### **TIPS ON CARE OF YOUR DUCTED VACUUM SYSTEM**

Your power unit is warranted against defective materials and workmanship but not against misuse. There is a service charge for repairing or replacing damaged or misused components of the system or for unnecessary service calls. Your ducted system is a lifetime improvement for you and your family. Follow these simple tips and you will enjoy it for many years:

1. **USE CARE ABOUT PLACING ANYTHING UNDER THE POWER UNIT.** Loose cloth, paper or plastic may be pulled up against the motor cooling air intake causing your power unit to overheat.
2. **DO NOT OVERFILL YOUR FILTER BAG.** Allowing your filter bag to become over 3/4 full may result in rupture or over stress of the bag and loss of cleaning ability.
3. **USE ONE OUTLET AT A TIME TO MAINTAIN PROPER AIR FLOW.** To use more than one vacuum outlet at a time reduces the air flow below that is required to effectively deep clean your carpets.
4. **STORE YOUR HOSE AND TOOLS PROPERLY.** When not in use, always hang up your hose and store the cleaning tools and wands in a place where they will not be damaged.
5. **HOLD OUTLET DOOR OPEN WHEN REMOVING HOSE.** After removing the hose from the outlet, hold the outlet door open for a few seconds:
  - (a) To make sure the unit has stopped
  - (b) To clear any residual dirt out of the vacuum ducting
6. **DO NOT PICK UP LIQUIDS.** Do not pull liquids into the vacuum ducting since any liquid left in the ducting
  - (a) May cause major motor damage - not covered by warranty.
  - (b) May drain back out of the wall outlets and cause streaking of the walls.
  - (c) May cause dirt build-up in the ducting that could eventually clog the system.

## INSTALLATION INSTRUCTIONS

Careful planning of a Ducted Vacuum System is imperative. For the best results from your system, keep the ducting run as straight and direct as possible — using the minimum amount of bends and elbows. Please seek advice from your local Dealer should you have any queries.

### DETERMINE POWER UNIT AND OUTLET LOCATIONS

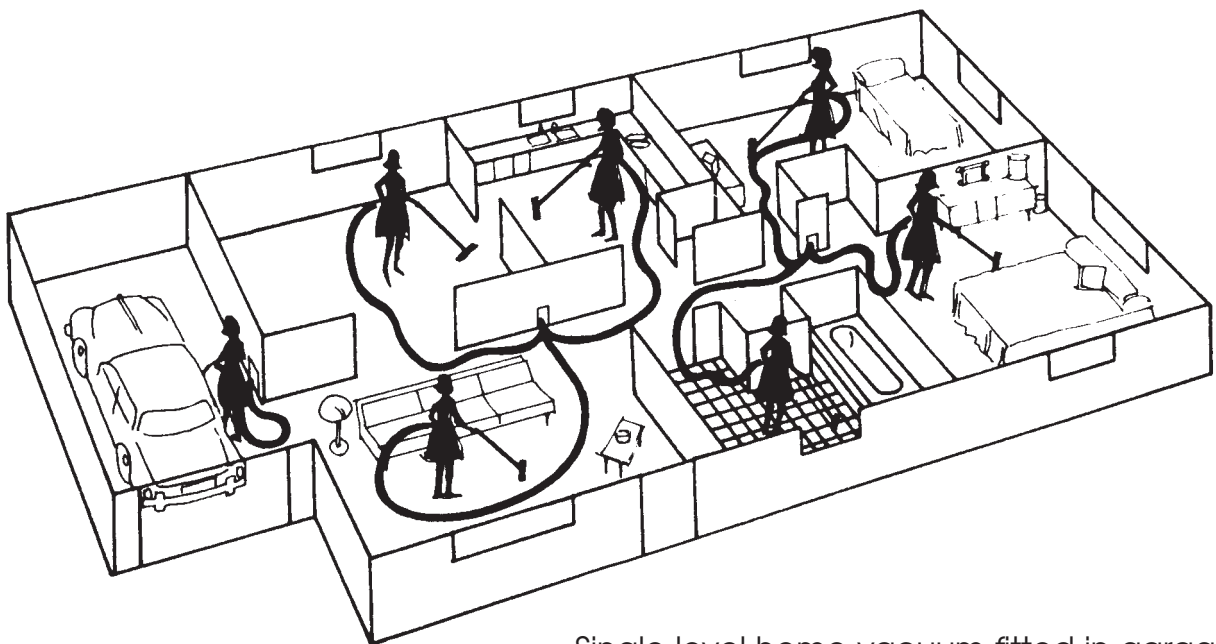
The power unit can be located in a garage (preferably attached to the house), under the house, if clearance permits, plantroom or on the external wall. Please note that if the unit will be exposed to the weather, a weatherproof unit must be installed.

It is preferable not to install the unit inside the house.

### INLET LOCATIONS

In determining locations of inlet valves, accessibility and convenience should be kept in mind — for example locations in hallways, near door openings, etc. are ideal locations that will not be obstructed by furniture.

To determine the location and coverage of the inlet valve, assume a hose length of 9 metres (standard hose length). If working with a plan, a length of string can be cut according to the scale of the plan (e.g., on a 1:100 scale — cut a 9cm piece of string). With this string, calculate the maximum coverage of proposed inlets. Inlets are best centralised to make maximum use of coverage, remember to allow for proposed furniture, doorways, etc. With an existing hose, measure out a 9-metre length of string and starting from the end of the home, see how much area can be covered. It is always advisable to have some overlap to allow for unseen obstacles.



Single level home vacuum fitted in garage  
3 outlets (inc garage)

# INSTALLATION

## P.V.C. Run

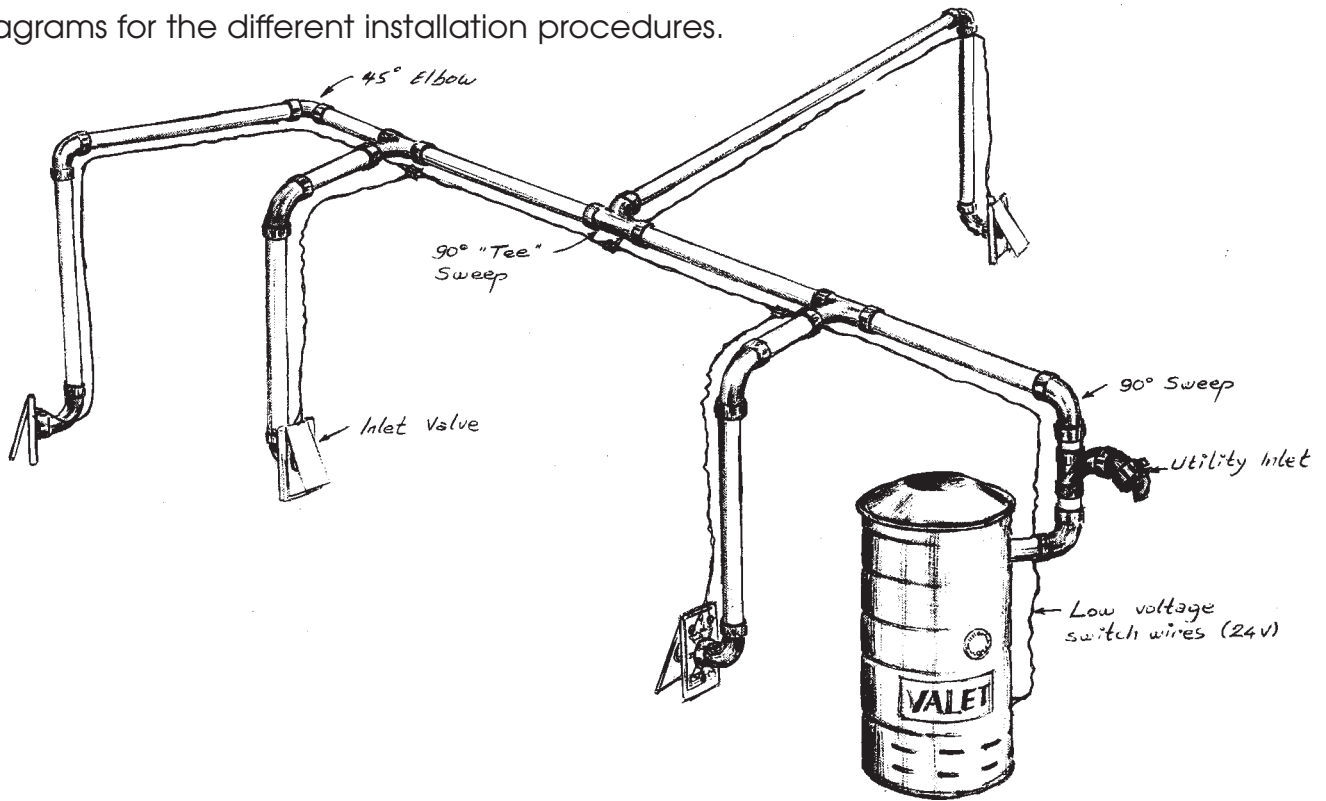
Once the power unit and outlet locations have been determined, work out the ducting run to join inlets together and back to the unit. (see diagram 1).

**OVERHEAD** — If the house is on a concrete slab or has no under floor access, the ductwork will be run through the roof back to the motor location. The pipe work is clipped to the rafters and dropped down to studs to each inlet.

NOTE: Always work up and down with the studs — do not run ductwork through studs.

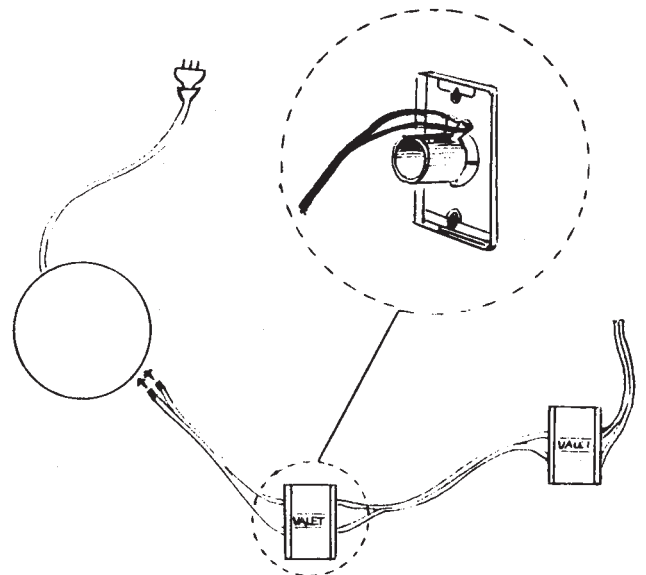
**UNDERNEATH** — If the floor is timberlined and there is ample crawl space, the pipework can be installed underneath the house, clipping the pipework to the floor joints or bearers and run up to each inlet.

See diagrams for the different installation procedures.

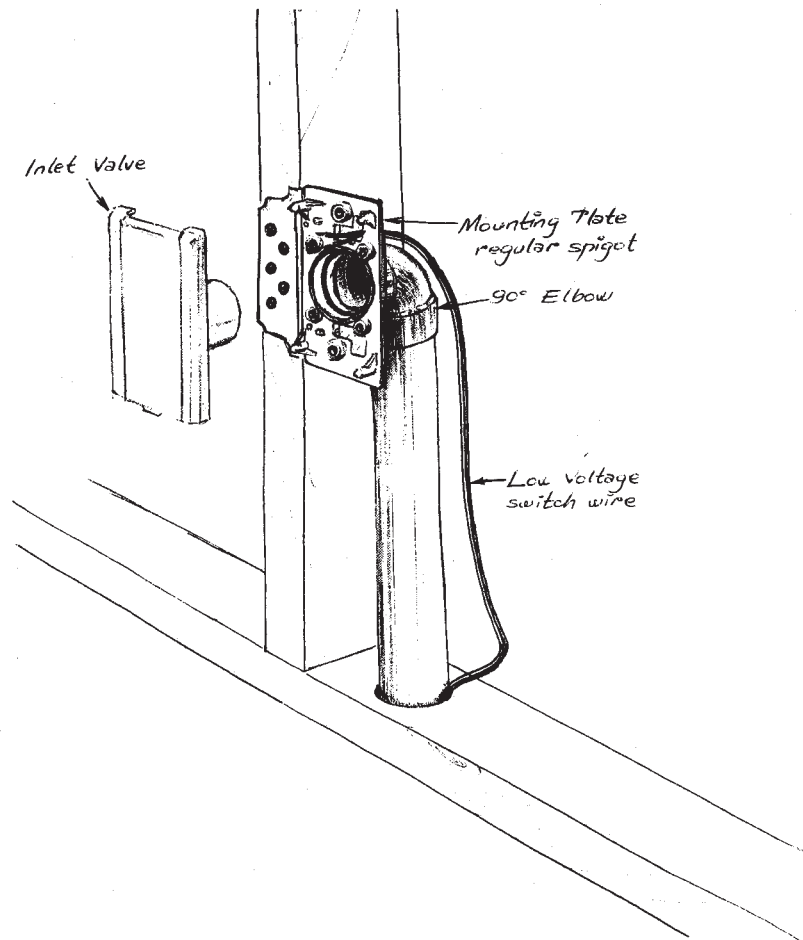


## WIRING

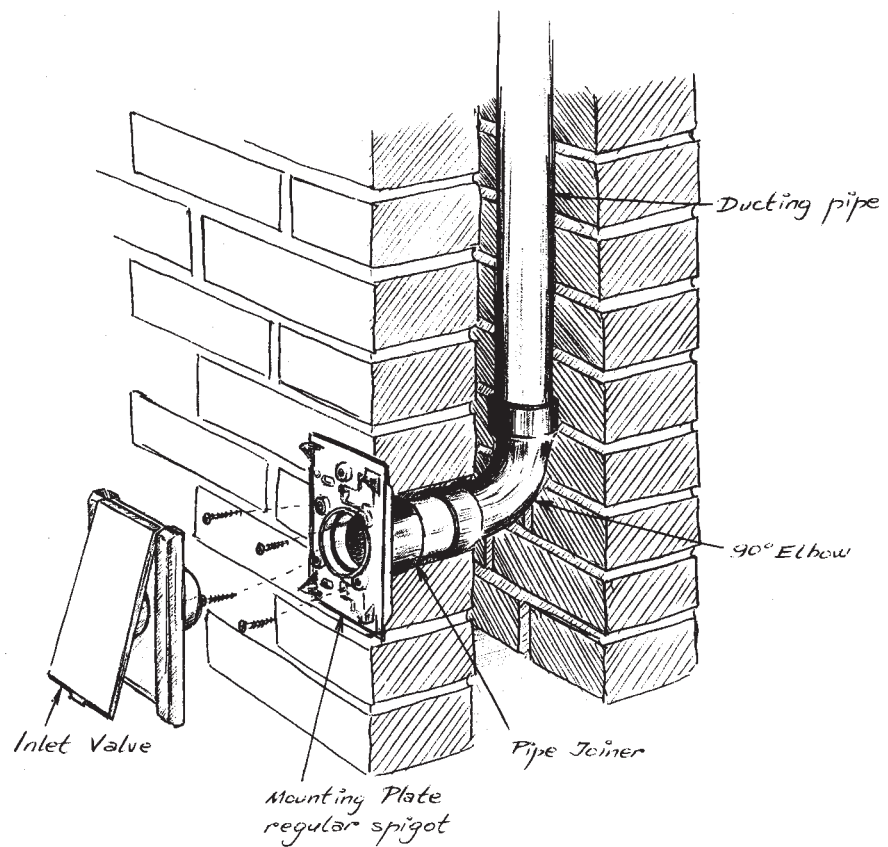
When the pipework is finished, the wiring for the 24-volt control circuit has to be installed. Starting from the inlet furthest from the motor, run the twin active cable (Fig. 8) along the pipework connecting each inlet in series. Bring the wire through the hole provided in the back plate, and tie a knot so the wire will not be lost. If home under construction, screw the plasterguards on to the back plates using 2" self tappers. The plasterer will cut around leaving perfect size hole. If existing home, connect inlets as in diagrams.



## INSTALLATION OF VACUUM INLET ON STUD WALL

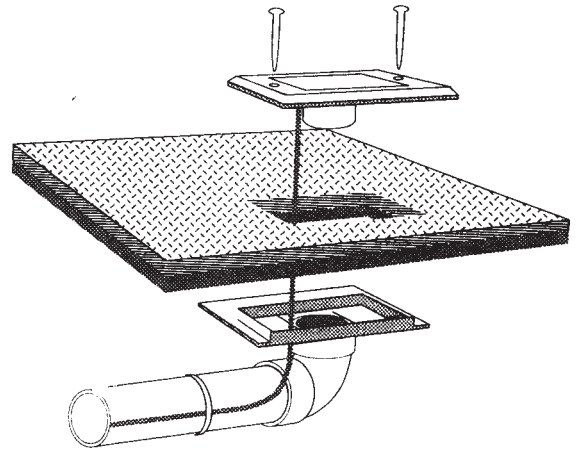
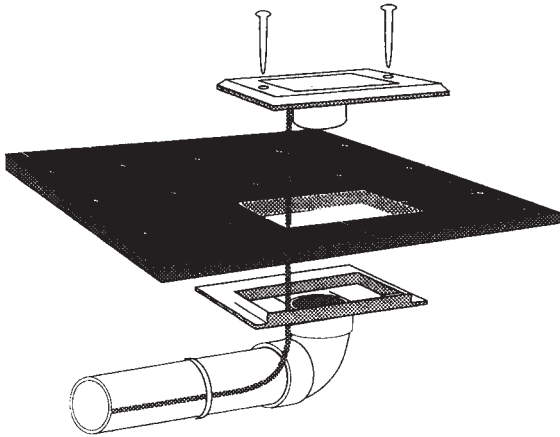


## INSTALLATION OF VACUUM INLET IN BRICK WALL

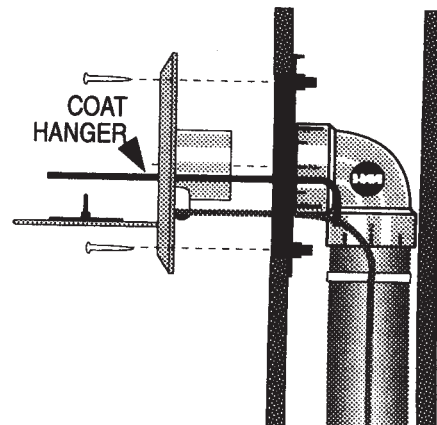
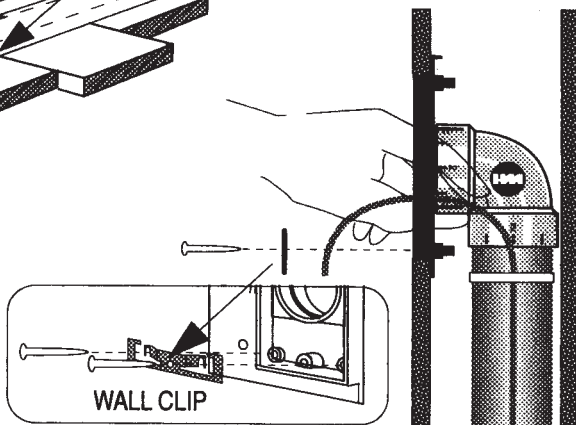
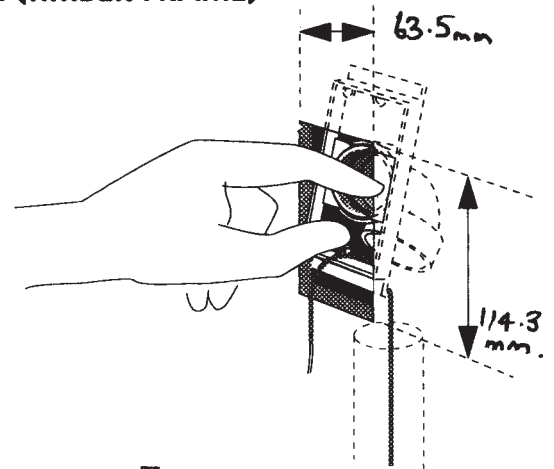
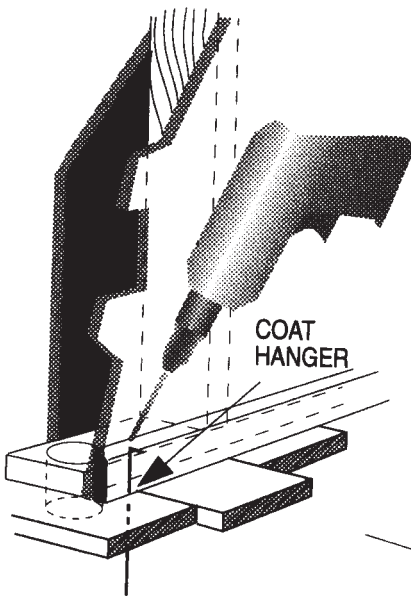




## INSTALLATION OF VACUUM INLET ON FLOOR



## INSTALLATION OF VACUUM INLET INTO EXISTING LINED-WALL (TIMBER FRAME)

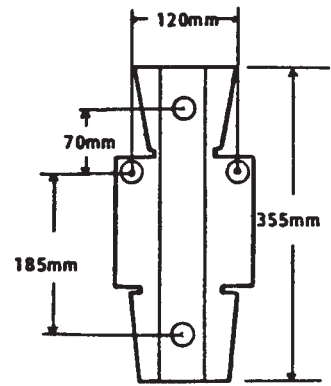
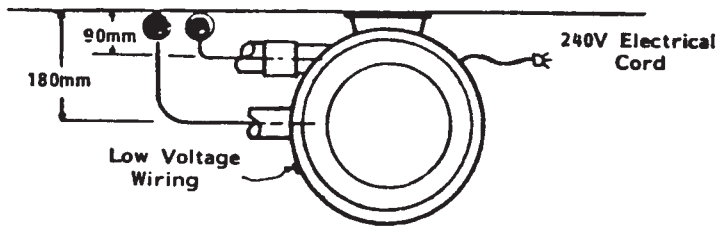


Please contact your local dealer should you have any difficulties with installation or performance of your Valet system.

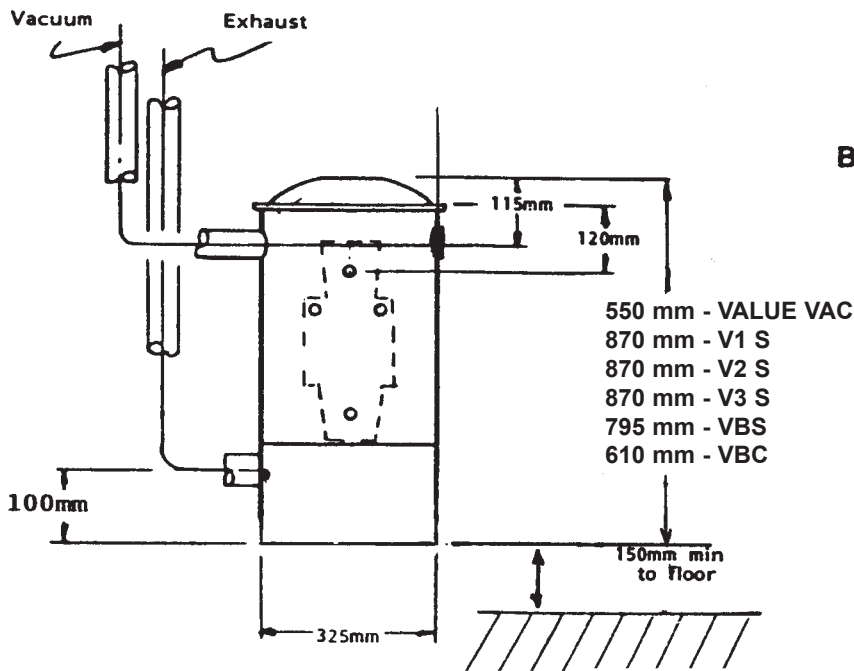


# INSTALLATION OF BAG TYPE VACUUM UNITS

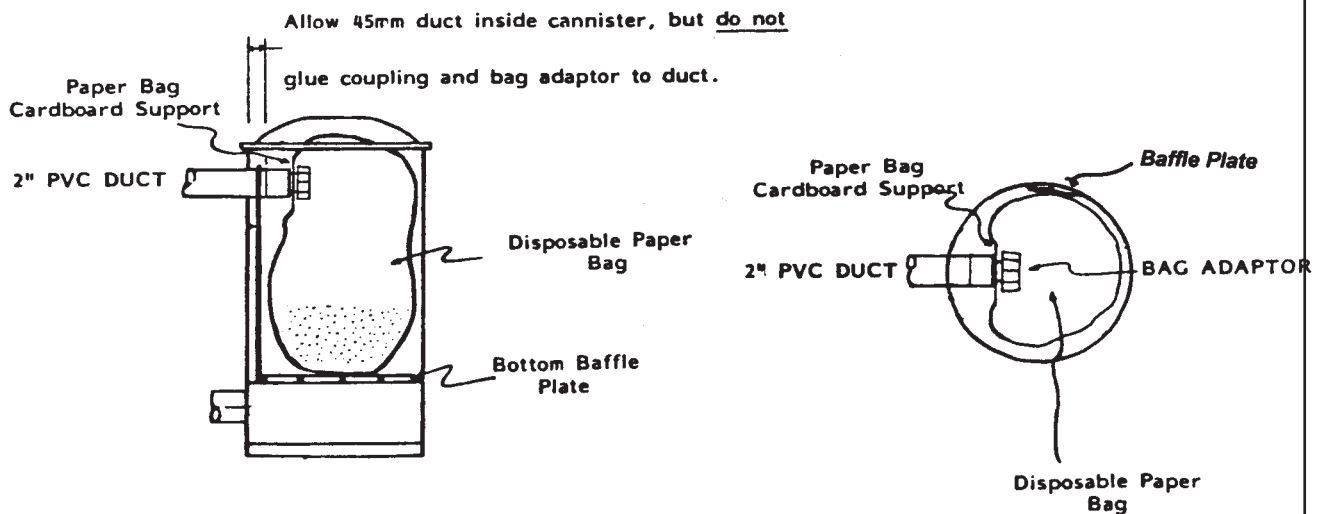
## MOUNTING OF POWER UNIT & DIMENSIONS



## BACK PLATE DIMENSIONS



## FITTING OF FILTER BAGS



## **YOUR NEAREST VALET DEALER**

For Valet Consumables, Sales or Service  
please call 1800 050 333

Your call will be directed to your nearest Valet Dealer

## **INTERESTED IN OTHER VALET PRODUCTS?**

Why not visit our Web site

[www.valet.com.au](http://www.valet.com.au)

For the latest Valet Home Products Catalogue

## **VALET PRODUCTS**

Ducted Vacuum

Home Security and Alarm Systems

Front Door or Gate Intercom or Video Intercom

Home Automation with entire House Communications

## **VALET Ducted Vacuum Accessories**

Genuine Valet Filter Bags

Floor Tools, Soft & Hard surface, Turbo Heads

Vacuum Tools for Crevice, Giant crevice, upholstery

Telescopic Rods, Micro Car kit Attachments

Hose Hangers and De luxe Hose Hangers

Hose Socks / Vacuum Noise Mufflers

Call your dealer NOW 1800 050 333

The logo for VALET, featuring the word "VALET" in a bold, black, sans-serif font. The letters are thick and blocky. The logo is framed by a thick black horizontal bar above and below the text.

# WARRANTY

## INTERCOM – SECURITY – CENTRAL VACUUM – AUTOMATION

### IMPORTANT

Please keep this Warranty in a safe place. It is valuable. The benefits conferred by this Warranty are in addition to all other rights and remedies in respect of the product which the consumer has under the Trade Practices Act and similar State and Territory Laws.

- This Warranty:
  - FOR ALL PRODUCTS – 90 day cover, after installation - on site cover for defective workmanship or material will be at no cost for systems installed by an authorised Dealer. Labour and travel costs may be charged if the system is not installed by an authorised Dealer.
  - FOR INTERCOM SYSTEMS – One year cover – iCentral will replace or repair any defective component for 12 months from purchase. The purchaser is responsible for return freight costs to the nearest Dealer.
  - FOR SECURITY SYSTEMS – Two years cover for products manufactured by Ness – iCentral will replace or repair a defective component for 24 months from purchase. The warranty period for equipment supplied by iCentral but not of Ness manufacture will be 12 months unless stated otherwise. Security products are not covered by an on site warranty and must be returned to iCentral for claims. The purchaser is responsible for return freight costs to the nearest Dealer.
  - FOR CENTRAL VACUUM SYSTEMS including iCentral and Valet brands – Five years cover – iCentral will replace or repair any defective component for 60 months from purchase. The purchaser is responsible for return freight costs to the nearest Dealer.
  - EXTENDED WARRANTY – A further one year warranty is offered at no charge, simply by the purchaser completing and returning the Warranty Card or by registering online at [www.icentralsystems.com.au](http://www.icentralsystems.com.au)
  - AUSTRALIA & NZ ONLY – iCentral, under this cover, only covers the product if purchased in Australia or New Zealand. International warranty terms will vary and will be specifically applied to other countries by other documentation.
- This Warranty will not apply to or if:
  - The product is damaged by the use of an accessory which is not supplied by iCentral.
  - The product is misused, neglected, or altered by any person, or is damaged by incorrect installation.
  - The product is opened, disassembled, or serviced by a person other than an iCentral recognised Dealer or repair agent.
  - Consumables, including batteries are not covered by this warranty.
  - Interference caused by external fields, including appliances, dimmers, radio transmitters, electrical cables, and unstable voltage is excluded from this warranty.
- Under this Warranty:
  - Product defects covered by this Warranty will be repaired, during normal business hours, at the premises of iCentral's recognised Dealer or the recognised repair agent without cost to the owner for parts and repair labour or, at the option of iCentral, the product will be replaced. The purchaser is responsible for all transport costs and in-transit insurance costs if the product or part has to be returned for repair to iCentral's recognised Dealer or repair agent. iCentral will not accept responsibility for damage to the product caused by unsuitable or inadequate packing.
  - The purchaser is at all times responsible for the repair of defects caused by accidental or intentional damage, improper voltage, fire, misuse, abuse, neglect, alterations by or negligence of the consumer, incorrect or incomplete installation or operation by the consumer, Acts of God, vermin or foreign matter entering the product, e.g. dirt and moisture.
- For repair of the product under this Warranty:
  - The Dealer or repairer should be contacted within thirty (30) days of the fault developing.
  - Proof of purchase must be presented to an iCentral recognised dealer or repair agent.
  - Various warranties or conditions may be implied or obligations may be imposed of iCentral by provisions of the Trade Practices Act 1974 and other laws in force in Australia and, or New Zealand. If any such provision applies, then to the extent permitted by law and to the extent that this Warranty is given in addition to such warranties or conditions, any liability under this Warranty is expressly limited to:
    - In the case of products, the replacement of the product, the payment of the cost of replacing the product, or of acquiring an equivalent product, at the discretion of iCentral; and
    - In the case of services, supplying the services again, or the payment of the cost of having the services supplied again, at the discretion of iCentral.
- This is the only Warranty given by iCentral on this product. No other person or non-statutory organisation is authorised by iCentral to vary the provisions and conditions of this Warranty.

TEAR OFF AND KEEP THIS SECTION FOR YOUR RECORDS



THE HOME OF



Return this Warranty Card for  
**ONE ADDITIONAL YEAR of warranty**  
provided at No Charge



### INTERCOM SYSTEMS

1 Year Warranty + 1 Year Extended Warranty

### SECURITY SYSTEMS

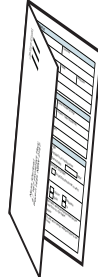
2 Years Warranty + 1 Year Extended Warranty

### CENTRAL VACUUM SYSTEMS

5 Years Warranty + 1 Year Extended Warranty

FOLD HERE TO KEEP YOUR PRIVATE DETAILS HIDDEN

Staple or tape this card folded and drop in a mailbox. No postage stamp required if posted in Australia



### YOUR DETAILS

First Name		Surname	
Address			
City/Suburb	State	Postcode	
Phone ( ) ( )			
Email address			

### PRODUCT DETAILS

Model Number	Serial Number (if any)		
Date of purchase / /20__	Invoice / Sales Docket No.		
Dealer / Retailer's Name			
Dealer / Retailer's Location (Suburb & State)			

### SURVEY

#### INSTALLATION OF YOUR iCENTRAL SYSTEM

- Installed in a new home  Installed in an existing home
- Installed by a Dealer  Self-installed  Other

#### HOW SATISFIED ARE YOU WITH YOUR iCENTRAL SYSTEM?

- Very satisfied  Satisfied  Unsatisfied (Please tell us why)

#### HOW DID YOU HEAR ABOUT iCENTRAL?

- Friend/Relative  Yellow Pages  Internet  Magazine
- Home Show  Direct Mail  Radio  TV

STAY UP-TO-DATE. We may send you information and promotional material from time to time. If you don't want to receive mail from us, tick below.

- Do not send me any promotional material

COMMENTS. We are proud of our products and we're always willing to listen to our customers. Any other comments are welcome.



Delivery Address:  
Locked Bag 2023  
SEVEN HILLS NSW 1730

No stamp required  
if posted in Australia



Ness Corporation  
iCentral Division  
Reply Paid 84232  
SEVEN HILLS NSW 1730



Intelligent Central Systems  
A DIVISION OF **NESS** CORPORATION

THE HOME OF



WARRANTY CARD



LONG FACTORY WARRANTY ON ALL ICENTRAL PRODUCTS PLUS  
SEE INSIDE FOR FREE EXTENDED WARRANTY DETAILS